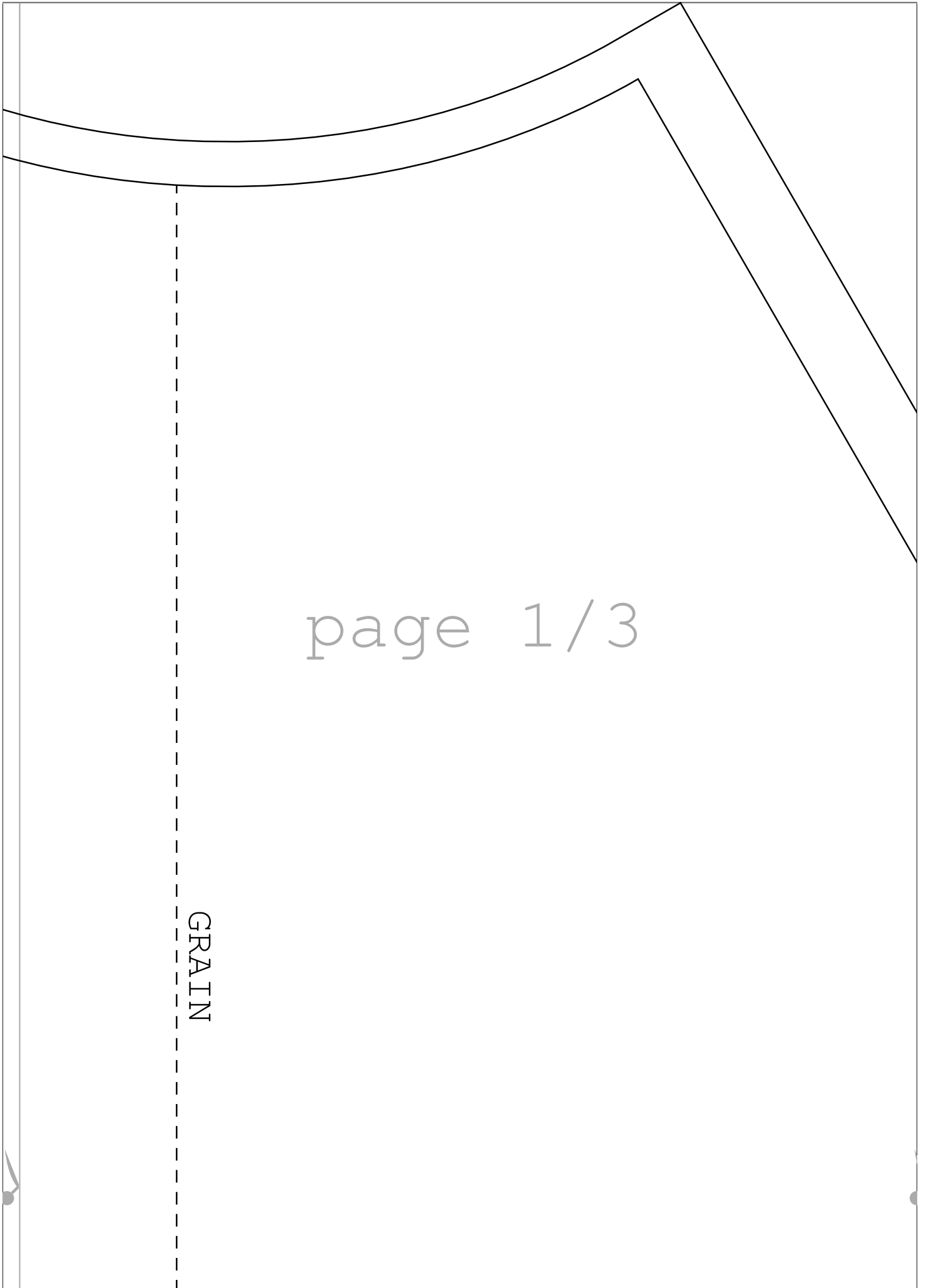


page 1 / 2

page 1 / 3

GRAIN



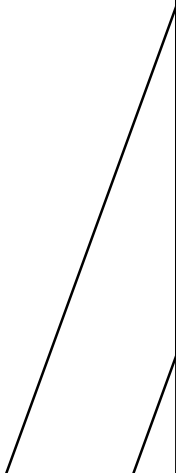
page 1 / 4

page 1 / 5

page 1 / 6



page 2 / 1



page 2 / 2

page 2 / 3

page 2 / 4

page 2 / 5



page 2 / 6

page 3 / 1

page 3 / 2

Her
16

•
80 | Bust / 80
Back -
set / Bust / 62 / 80
SMA025
skirt
T+T
CMT / Mat / 80
Hip
•

page 3 / 4

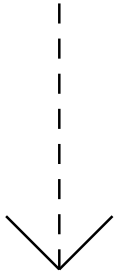
page 3 / 5

page 3 / 6



page 4 / 1

page 4 / 2



page 4 / 3



page 4 / 4

page 4 / 5



page 4 / 6

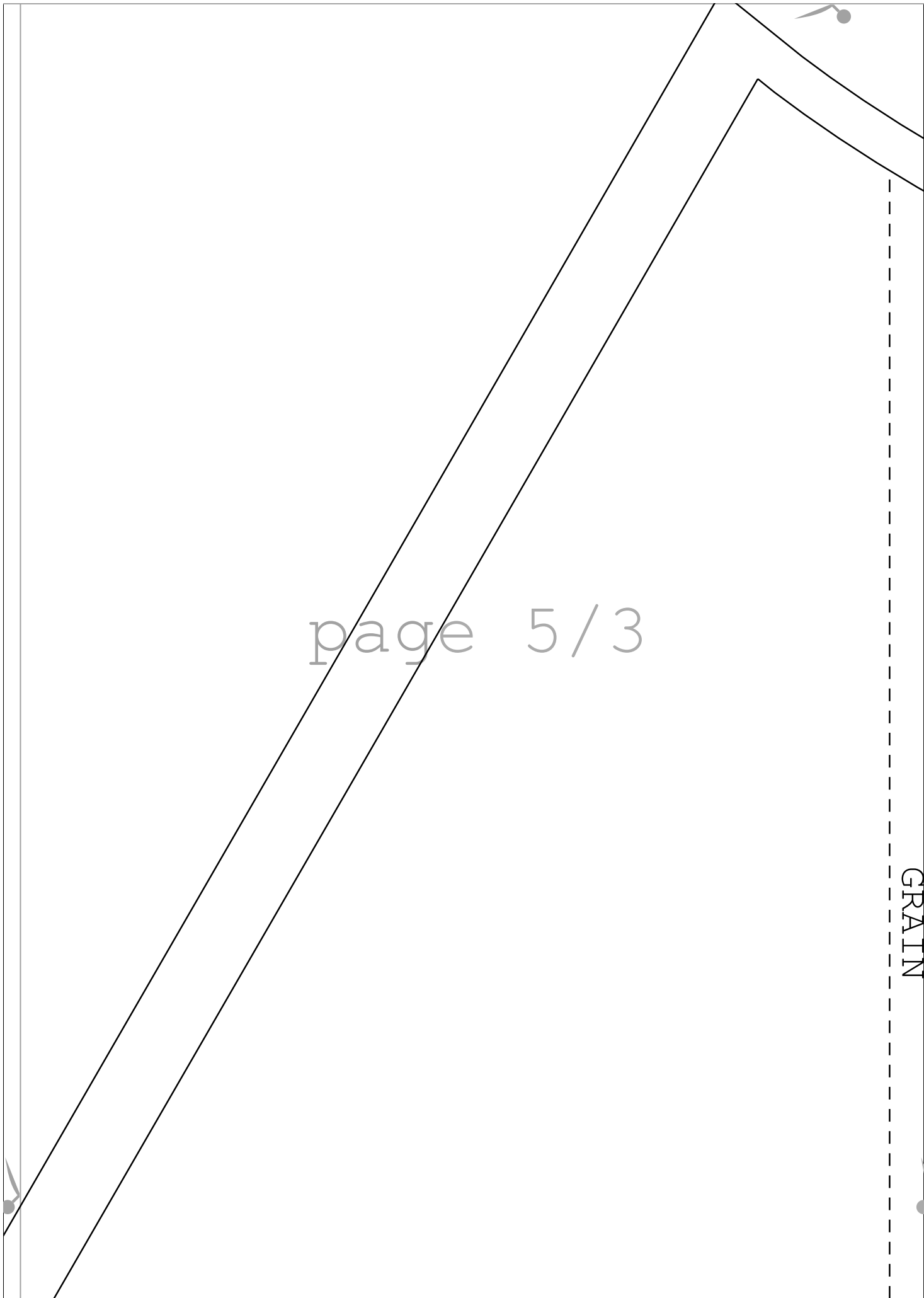


page 5 / 1

page 5 / 2

page 5 / 3

GRAIN



page 5 / 4



page 5/5

page 5 / 6



page 6 / 1

page 6 / 2

page 6 / 3

page 6 / 4

page 6 / 5

page 6 / 6



page 7/1

page 7 / 2

page 7 / 3

S4025
Front - SK;
Height / P
7

cut I+1
Waist/Hip:
68/80/62/80 cm

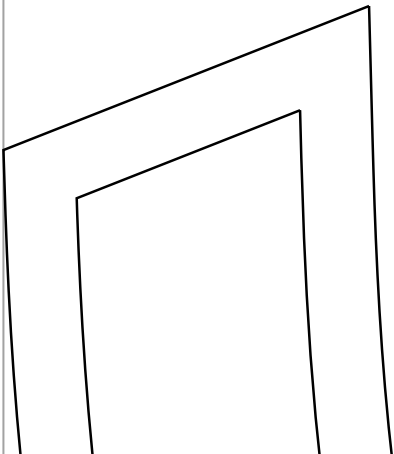
page 7 / 4

page 7 / 5

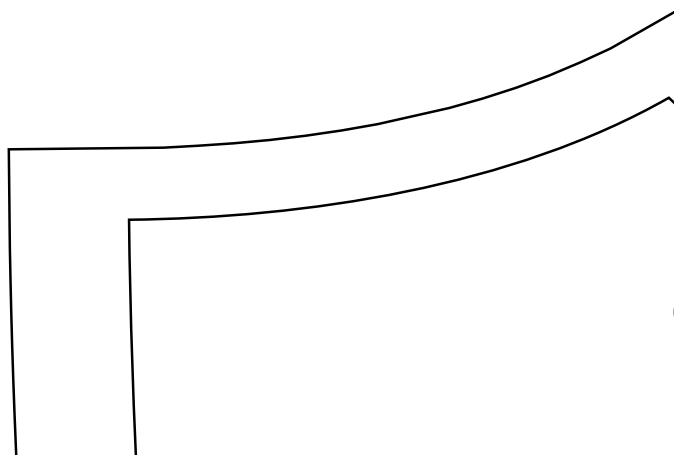
page 7 / 6



page 8/1



page 8 / 2



page 8 / 3

page 8 / 4



page 8 / 5





page 8 / 6



page 9 / 1

From
InterFace
Bust / 92 / 80
Height / Bust / 168 / 80

page 9 / 2

GRAIN

SA025
FCC
C
H
P

S4025

Back

Self - cut ~~1+1~~

Height / Bust / Waist / Hip:
168 / 80 / 62 / 80 cm

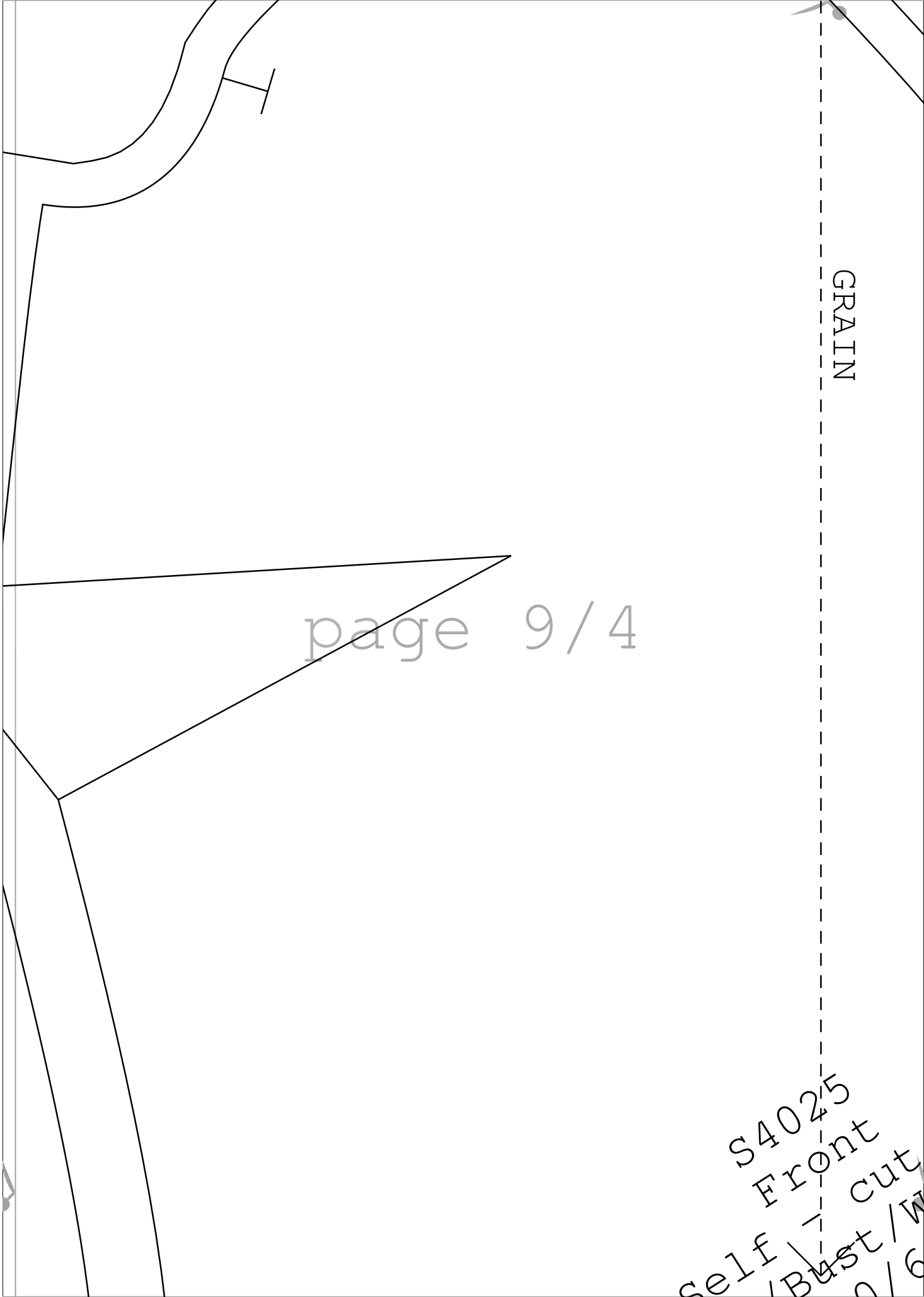
GRAIN



page 9 / 4

GRAIN

S4025
Front
self / Bust / cut
/ Bust / W
0 / 6



page 9 / 5

1+1
sais front
2/80 front
Hip:
cm



page 9 / 6

GRAIN

S4025

Back Sleeve

Self - cut 1/1
Height/Bust/Waist/Hi
168/80/62/80 cm

S4025
Front - Sleeve
Self - cut 1+1
Height/Bust/Waist/Hip:
168/80/62/80 cm

GRAIN

S4025
Back Facing
Self, Interfacing - cut 1+1
Height/Bust/Waist/Hip:
168/80/62/80 cm

GRAIN

Hip: 1+1



page 10/3

The image shows a technical drawing of a mechanical part. The top portion is a cross-section of a cylindrical component with a central hole. The hole has a chamfered edge. The bottom portion shows a similar cross-section, possibly of a different part or a detail of the same part, also featuring a chamfered edge. The text 'page 10/3' is centered on the page.

Height / 168 / 80

T

page 10 / 4



page 10 / 6

:d

back
TIO



page 11/2

page 11 / 3

page 11 / 4

page 11/5



page 11 / 6